



ILEE® ADJUSTABLE LASER HOLDER

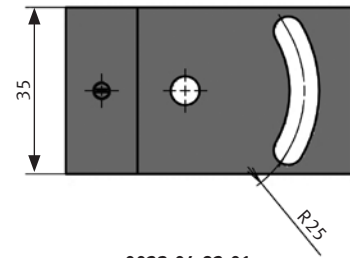
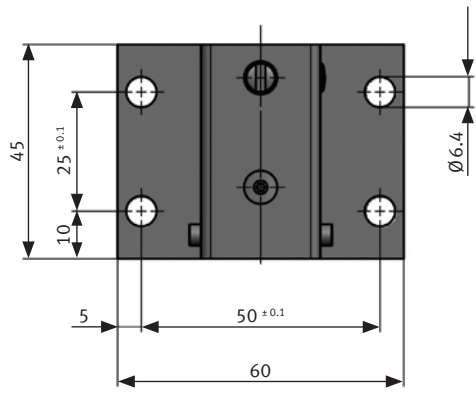
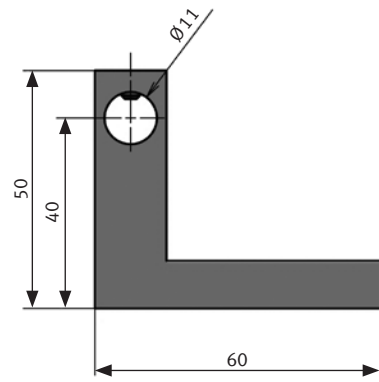
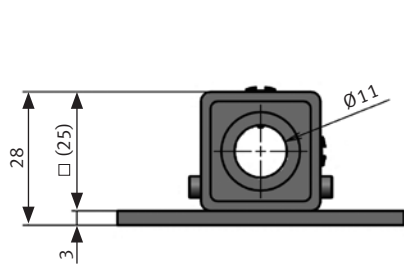
SHORT DESCRIPTION

Adjustable mounts with different diameters and features – specially designed to align your laser diode modules.

TECHNICAL DATA

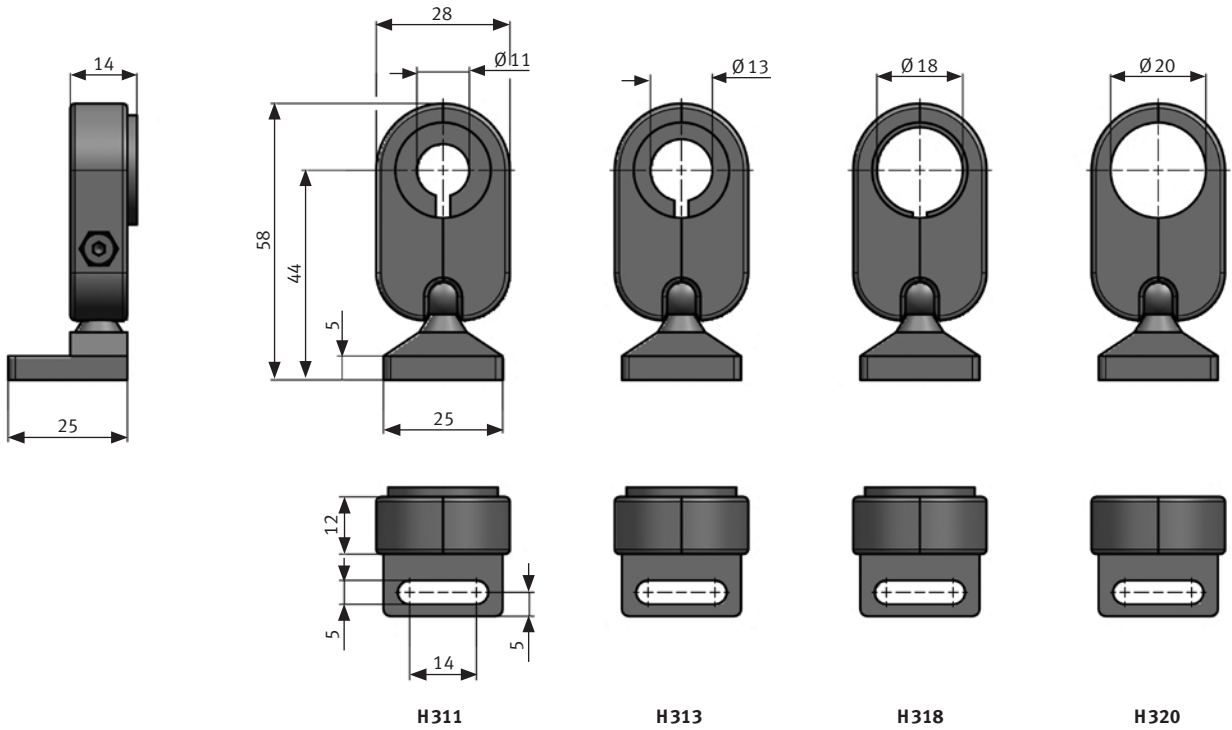
Module diameter mm	Adjustment travel X-Axis mrad	Adjustment travel Y-Axis mrad	Order number
11	+46/-39	+46/-39	0023-01-92-01
11	+/-524	-	0023-04-92-01
11	(Ballhead)	(Ballhead)	H311
13	(Ballhead)	(Ballhead)	H313
18	(Ballhead)	(Ballhead)	H318
20	(Ballhead)	(Ballhead)	H320

DIMENSIONS (MM)



0023-01-92-01

0023-04-92-01



H311

H313

H318

H320