



ILEE® LINE GENERATING LENSES

SHORT DESCRIPTION

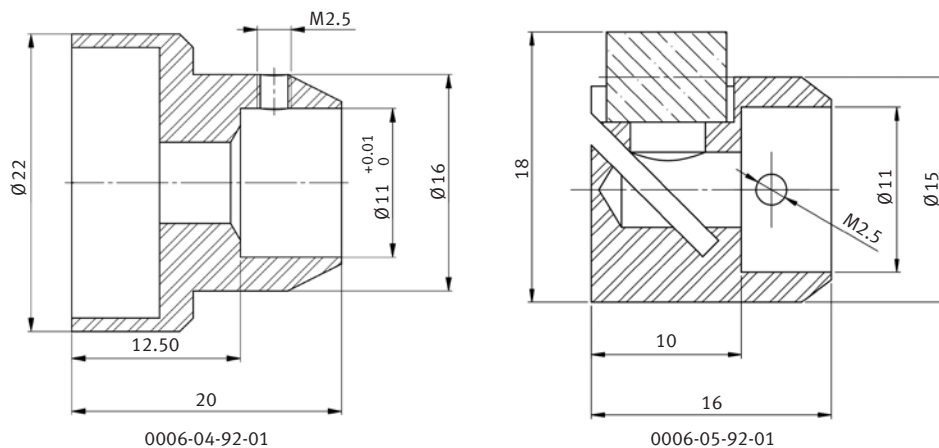
The cylinder lenses can be mounted on the ILEE® LDA STANDARD dot laser modules. The optics generate a line in axial or radial direction.

TECHNICAL DATA

Line direction	Line length @ 100 mm distance ¹⁾	Order number
axial	~20 mm	0006-04-92-01
radial	~100 mm	0006-05-92-01

¹⁾ Axial line optics with other line lengths available on request.

DIMENSIONS (MM)



Rheinmetall Air Defence AG

Birchstrasse 155 · 8050 Zurich · Switzerland · Phone +41 44 316 22 11
 ilee.rad@rheinmetall.com · www.rheinmetall.com/ilee

