



ILEE® LINE GENERATING LENSES

SHORT DESCRIPTION

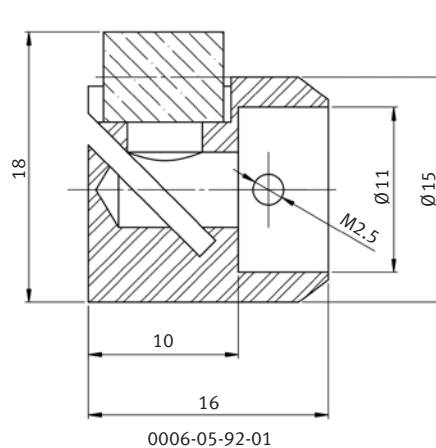
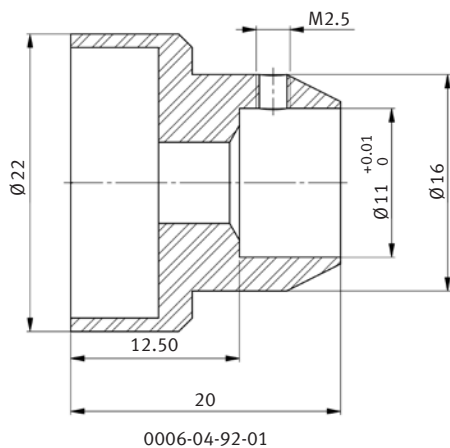
The cylinder lenses can be mounted on the LDA dot laser modules. The optics generate a line in axial or radial direction.

TECHNICAL DATA

| Line direction | Line length @ 100 mm distance ¹⁾ | Order number |
|----------------|---|---------------|
| axial | ~20 mm | 0006-04-92-01 |
| radial | ~100 mm | 0006-05-92-01 |

¹⁾ Axial line optics with other line lengths available on request.

DIMENSIONS (MM)



Rheinmetall Air Defence AG

Birchstrasse 155 · 8050 Zurich · Switzerland · Phone +41 44 316 22 11
 ilee.rad@rheinmetall.com · www.ilee.ch

