



ILEE® BEAM EXPANDER 2.5X

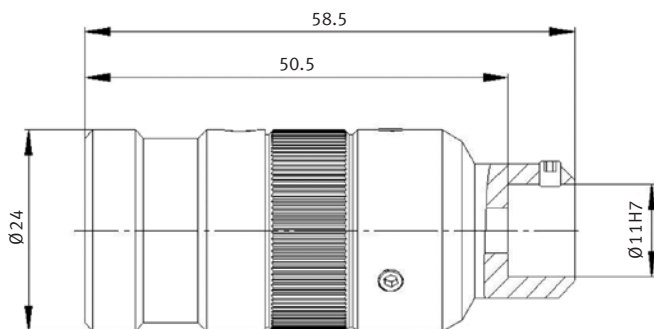
SHORT DESCRIPTION

The available variation of the focal length offered by this Beam expander makes it a versatile tool for the optical workbench.

CHARACTERISTICS

- Direct clamp fit on ILEE® LDA STANDARD dot laser modules
- Compact design
- Open aperture objective (Small dot on wide distance)

DIMENSIONS (MM)



TECHNICAL DATA

Wavelength	630 – 900 nm
Max. input power	100 mW
Beam shape	Dot
Order number	0007-01-92-01

Rheinmetall Air Defence AG

Birchstrasse 155 · 8050 Zurich · Switzerland · Phone +4144 316 22 11
 ilee.rad@rheinmetall.com · www.rheinmetall.com/ilee

